



SUNIDEA CO., LIMITED

www.sunidea.tk

BRAVO FOR OUR LIGHTING WORLD

DESIGNLIGHTS
CONSORTIUM

LED T8 and High Bay



E349290 (LED T8 Tube)
E357130 (LED T8 Tube)
E345599 (LED Floodlight & High Bay)
E346471 (LED PAR30 & PAR38)



Factory Tour



Company Profile

- Established: 2006
- Location: Shenzhen, China
- Business Type: Manufacturing, OEM&ODM
- Factory Area: 2,400 sqm (26,000 sqf)
- Manpower: 100 in total
- Major Categories: LED T8 Tube, LED Spotlight, LED Panel Light , LED Ceiling Light, LED Floodlight, LED High Bay Light
- Monthly Capacity: 30,000 units (indoor lamps), 5,000 units(outdoor fixtures)
- Main Market: USA, Canada, Europe, Australia and Japan etc.

Contact

115,NO.11 HUICHENG QIAOLE ROAD.XINHUI DISTRICT JIANGMEN CITY GUANGDONG,CHINA
 Tel :+86-750-6130021
 Fax:+86-750-6130023
 E-mail:rocklang@gmail.com ; sunidea.rock@gmail.com
 MSN:rocklang@hotmail.com
 Skype ID:rocklang ICQ:935 588 70

Certificates



E349290 (LED T8 Tube)
 E357130 (LED T8 Tube)
 E345599 (LED Floodlight & High Bay)
 E346471 (LED PAR30 & PAR38)

LM79
 LM80



DESIGNLIGHTS
 CONSORTIUM
 LED T8 : 4ft 18W/22W
 LED High Bay : 150W/200W



Tube UL E349290



High Bay UL



Flood Light UL



PAR UL



Tube PSE



PAR PSE



MR16 CE



Tube UL E357130



Bulb CE-EMC



Downlight RoHS



MR16 RoHS



Page 04~08



LED T8

- DLC listed
- LM79 & LM80 report
- 100lm/W of 3014/3528 chip, packaged in Taiwan
- UL/cUL (E349290& E357130) listed with IFAR standard(1598C), fully covers:
 - 1) 2ft (10W, 11W)/ 4ft(18W,22W) / 5ft(22W)
 - 2) External Driver / Internal Driver
 - 3) Dimmable/ Non dimmable



Page 13



LED Panel Light

- Thin thickness 12mm
- Reliable Meanwell driver (external) and Lumenmax chip
- Multiple installation methods



Page 10~11



LED Ceiling Light

- Dimmable and color changeable, remote control color range: 2,700K~6,500K,brightness: 0~100%.
- Application Area: 6~12 Jyo (12~24 m²)
- Wattage: 45W/65W
- 0.5W security light
- Japanese Adapter



Page 14~18



LED High Bay Light

- DLC listed for 150W, 200W
- UL/cUL(E345599) certified for 80W, 100W, 120W, 150W,200W, 300W (120V ac, 277V ac, 347V ac)
- LM79 and LM80 report
- CREE X-ML LED 110lm/W



Page 19~23



LED Flood Light

- UL/cUL (E345599) certified for 30W, 50W, 120W
- FCC certified
- Meanwell driver (100~277V ac)
- Bridgelux SMD LED



Page 09

LED MR16/GU10 with COB LED

- 4W and 6W (100lm/W COB LED)
- EMC& LVD passed
- Dimmable



Page 12

LED PAR30 & PAR38

- UL/cUL(E346471) certified for PAR30 & PAR38
- CREE XP-E LED
- Dimmable





UL LISTED US E349290 E357130

DESIGNLIGHTS CONSORTIUM
DLC 4ft 22W/18W

lighting facts
LED Program Partner

LM79
LM80

CE FC C-Tick PS E RoHS

UL/cUL Coverage

UL LISTED	2ft (10W/11W), 4ft (18W/22W) & 5ft (22W)			
	Internal Driver		External Driver	
	Dimmable	Non Dimmable	Dimmable	Non Dimmable
UL E357130 (IFAR) E349290 (IFAR)	Yes	Yes	Yes	Yes
cUL E357130 (IFAR) E349290 (IFAR)	No	No	Yes	Yes

Main Certificates/ Reports



UL/cUL E357130



UL/cUL E349290



LM 79 Report

DLC Coverage

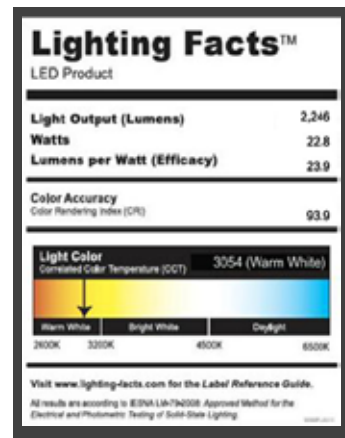
DESIGNLIGHTS CONSORTIUM					
Size	Wattage	Color	Driver	Dimmable	Warranty
4ft	18W	4,500K~5,000K	Internal	No	5 yrs
4ft	22W	4,500K~5,000K	Internal	No	5 yrs



LM80 Report



ISTMT Report



Lighting Facts



Specification

Internal Driver Series

UL File Number : E357130



Model No.	UL File Number	Description	LED Type	Length	Input Voltage	Power (Watts)	LED Q'ty	Lumens
BL-T8-10W600 WINS	E357130	10W,T8 tube,600mm/2ft, internal driver, non dimmable, single end power,	SMD 3528	600mm/ 2ft	100-277V ac (cover 100-120V ac)	10	130 pcs	WW:910lm CW:1,080lm
BL-T8-18W1200 WINS	E357130	18W,T8 tube,1200mm/4ft, internal driver, non dimmable, single end power,	SMD 3528	1200mm/ 4ft	100-277V ac (cover 100-120V ac)	18	280 pcs	WW:1,680lm CW:1,880lm
BL-T8-18W1200 WIDS	E357130	18W,T8 tube,1200mm/4ft, internal driver, dimmable, single end power,	SMD 3528	1200mm/ 4ft	90-140V ac	18	280 pcs	WW:1,680lm CW:1,880lm
BL-T8-22W1200 WINS	E357130	22W,T8 tube,1200mm/4ft, internal driver, non dimmable, single end power,	SMD 3528	1200mm/ 4ft	100-277V ac (cover 100-120V ac)	22	336 pcs	WW:2,020lm CW:2,310lm
BL-T8-22W1200 WIDS	E357130	22W,T8 tube,1200mm/4ft, internal driver, dimmable, single end power,	SMD 3528	1200mm/ 4ft	90-140V ac	22	336 pcs	WW:2,020lm CW:2,310lm
BL-T8-22W1500 WINS	E357130	22W,T8 tube,1500mm/5ft, internal driver, non dimmable, single end power,	SMD 3528	1500mm / 5ft	100-277V ac (cover 100-120V ac)	22	336 pcs	WW:2,020lm CW:2,310lm
BL-T8-22W1500 WIDS	E357130	22W,T8 tube,1500mm/5ft, internal driver, dimmable, single end power,	SMD 3528	1500mm / 5ft	90-140V ac	22	336 pcs	WW:2,020lm CW:2,310lm

Dimming Method: TRIAC

External Driver Series

UL File Number : E357130



Model No.	UL File Number	Description	LED Type	Length (mm)	Input Voltage (V dc)	Power (Watts)	LED Q'ty	Lumens
BL-T8-10W600 WONZ	E357130	10W,T8 tube,600mm/2ft, external driver,non dimmable	SMD 3528	600mm/ 2ft	Max. 29	10	130 pcs	WW:910lm CW:1,080lm
BL-T8-18W1200 WONZ	E357130	18W,T8 tube,1200mm/4ft,external driver,non dimmable	SMD 3528	1200mm/ 4ft	Max. 29	18	280 pcs	WW:1,680lm CW:1,880lm
BL-T8-18W1200 WODZ	E357130	18W,T8 tube,1200mm/4ft,external driver,dimmable	SMD 3528	1200mm/ 4ft	Max. 29	18	280 pcs	WW:1,680lm CW:1,880lm
BL-T8-22W1200 WONZ	E357130	22W,T8 tube,1200mm/4ft, external driver,non dimmable	SMD 3528	1200mm/ 4ft	Max. 37	22	336 pcs	WW:2,020lm CW:2,310lm
BL-T8-22W1200 WODZ	E357130	22W,T8 tube,1200mm/4ft, external driver,dimmable	SMD 3528	1200mm/ 4ft	Max. 37	22	336 pcs	WW:2,020lm CW:2,310lm
BL-T8-22W1500 WONZ	E357130	22W,T8 tube,1500mm/5ft,external driver,non dimmable	SMD 3528	1500mm / 5ft	Max. 37	22	336 pcs	WW:2,020lm CW: 2,310lm
BL-T8-22W1500 WODZ	E357130	22W,T8 tube,1500mm/5ft,external driver,dimmable	SMD 3528	1500mm / 5ft	Max. 37	22	336 pcs	WW:2,020lm CW: 2,310lm

Dimming Method
 1) 0-10V dimming for BL-T8-22W1200 and BL-T8-22W1500 series
 2) TRIAC dimming for BL-T8-18W1200 series

Designation Chart

Item	Designates	Represented By	Sub Representing
1	LED rating	W	A = rated 2.9-3.4 V, max. 30 mA B = rated 2.9-3.4 V, max. 70 mA
2	Self-ballasted or not	I/O	O = external power supply. I = Self-ballasted(internal power supply)
3	Dimmable or not	Y	N = Not suitable for dimmer D = Suitable for dimmer
4	End Caps Power Option	Z	S = Only one end power T = Double end power

Internal Driver Series

UL File Number : E349290
 BL-T8-1200-22W DLC listed



Model No.	UL File Number	Description	LED Type	Length (mm)	Input Voltage (V ac)	Power (Watts)	LED Q'ty	Lumens
BL-T8-600-11W	E349290	11W,T8 tube,600mm/2ft, Internal driver,non dimmable	SMD 3014	600mm/ 2ft	100~277V ac	11	108 pcs	WW:960lm CW: 1,150lm
BL-T8-1200-22W	E349290	22W,T8 tube,1200mm/4ft Internal driver,non dimmable	SMD 3014	1200mm/ 4ft	100~277V ac	22	228 pcs	WW:2,020lm CW: 2,300lm

Internal Driver Series(Non-UL, Isolating Source)



Model No.	Description	LED Type	Length (mm)	Input Voltage (V ac)	Power (Watts)	LED Q'ty	Lumens
BL-T8-900-15W	15W,T8 tube,900mm/3ft Internal driver,non dimmable	SMD 3014	900mm/ 3ft	100~277V ac	15	156 pcs	WW: 1,320lm CW: 1,450lm
BL-T8-1500-29W	29W,T8 tube,1,500mm/5ft Internal driver,non dimmable	SMD 3014	1,500mm/ 5ft	100~277V ac	29	310 pcs	WW:2,480lm CW:2,780lm
BL-T8-1800-30W	30W,T8 tube,1,800mm/6ft Internal driver,non dimmable	SMD 3014	1,800mm/ 6ft	100~277V ac	30	312 pcs	WW: 2,540lm CW: 2,800lm
BL-T8-2400-36W	36W,T8 tube,2,400mm/8ft, Internal driver, non dimmable	SMD 3528	2,400mm/ 8ft	100~277V ac	36	560 pcs	WW:3,060lm CW:3,460lm
BL-T8-2400-44W	44W,T8 tube,2,400mm/8ft, Internal driver, non dimmable	SMD 3528	2,400mm/ 8ft	100~277V ac	44	672 pcs	WW:3,740lm CW:4,320lm

Internal Driver Series (Non-UL,Non-Isolating Source)



Model No.	Description	LED Type	Length (mm)	Input Voltage (V ac)	Power (Watts)	LED Q'ty	Lumens
BL-T8-1200-18W	18W,T8 tube,1200mm/4ft, Internal driver, non dimmable	SMD 3528	1200mm/ 4ft	100-277V ac	18	280 pcs	WW:1,580lm CW:1,780lm

Lens Options

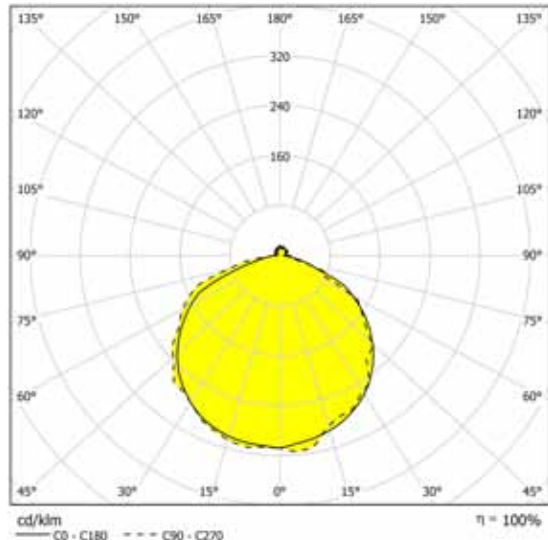


General Specification

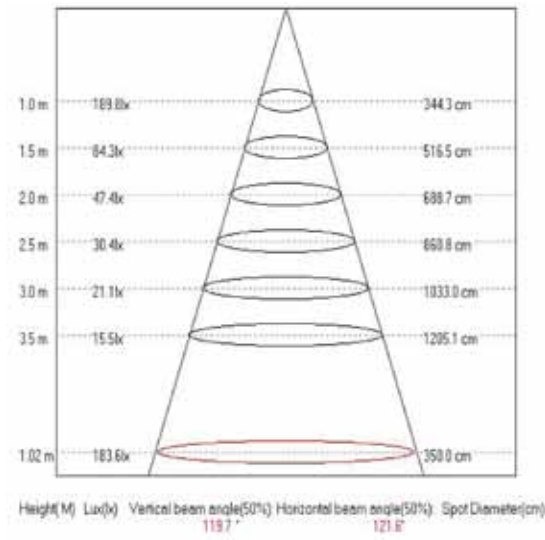
Color Temperature: 2,700~7,000K , CRI:Ra> 80, Beam Angle : 150 degree, Lens Options: frosted/clear/stripe, Warranty: 3 years / 5 years(DLC certified items) , Certificates: UL,cUL, DLC, Lighting Facts, CE, RoHS, C-Tick, PSE

LED T8 Tube

Test Result (BL-T8-1200-22W)



Distribution Curve



AAI Figure

Wiring Instruction

Internal Driver

Self-Ballasted LED Tube Lamp Model: BL-T8-22W1200 W1YZ MANUFACTURING DATE: 201209

AC Input Input End

Input Voltage: AC100-277V, 200mA, 50-60HZ, 22W

Diffuser: Clear Milky Stripe

Color Temperature: 2800-3500K 3600-4200K 4600-5400K 5500-6500K

* Risk of electric shock
* Type IC
* Do not use where directly exposed to water
* Led retrofit luminaire conversion for use only with products being described and installed in accordance with the instructions provided with this retrofit kit.

AINS
AIDS

CLASSIFIED
UL
E357130

MADE IN CHINA

External Driver

① For a) non-dimmable series and b) dimmable series ONLY for TRIAC dimming (BL-T8-18W1200)

LED TUBE WITH EXTERNAL LED DRIVER Model: BL-T8-22W1200 W0YZ MANUFACTURING DATE: 201209

DC Input Input End

Input Voltage: DC38, 550mA, 22W

Diffuser: Clear Milky Stripe

Color Temperature: 2800-3500K 3600-4200K 4600-5400K 5500-6500K

* Risk of electric shock
* Surface mounted
* Do not use where directly exposed to water
* Led retrofit luminaire conversion for use only with products being described and installed in accordance with the instructions provided with this retrofit kit.

AONS
AODT

CLASSIFIED
UL
E357130

MADE IN CHINA

② For dimmable series for 0~10V dimming (BL-T8-22W1200 & BL-T8-22W1500)

RISK OF FIRE OR ELECTRICAL SHOCK. NOT FOR DIRECT REPLACEMENT OF FLUORESCENT LAMPS.

* INPUT VOLTAGE: 100-277VAC 50/60HZ (LED DRIVER)
* INPUT CURRENT: 0.28-0.1A (LED DRIVER 0-10VDC Dimmer Signal)
* FOR INDOOR USE ONLY

Attention! cut Starter cut

LED Tube don't need to distinguish DC+/-

LED Driver INPUT 100-277VAC

0-10VDC Signal- (Grey Wire) LED+ (Black Wire)
0-10VDC Signal+ (Purple Wire) LED- (Red Wire)

White Wire (L) (N) Black Wire

External Driver No.: E357130



Key Features

- 4W/6W of GU10/MR16 with COB LED
- Retrofit to conventional halogen lamp
- Outstanding lumen output: 100lm/W
- EMC and LVD passed
- Dimmable



Item Number	BL-MR16-4W-C	BL-GU10-4W-C	BL-MR16-6W-C	BL-GU10-6W-C
Description	MR16 with COB LED	GU10 with COB LED	MR16 with COB LED	GU10 with COB LED
Voltage	12~24V dc/ac	85~145V ac or 190~265V ac	12~24V dc/ac	85~145V ac or 190~265V ac
Lumens	WW:260lm CW:300lm	WW:260lm CW:300lm	WW:380lm CW:420lm	WW:380lm CW:420lm
Dimension	Ø50x45mm	Ø50x60mm	Ø50x70mm	Ø50x83mm
Available Lamp Base	MR16	GU10/E26/E27	MR16	GU10/E26/E27
Weight	35g	45g	75g	85g
LED Type/ Q'TY	Epistar or Sharp COB / 1 pc	Epistar or Sharp COB / 1 pc	Epistar or Sharp COB / 1 pc	Epistar or Sharp COB / 1 pc
Power Consumption	4.0W	4.0W	6.0W	6.0W

General Specification

Color Temperature: 2,700K ~ 7,000K, CRI: Ra > 80, PF > 0.9, Beam Angle: 30/45/60 degrees, Certificate: CE, RoHS, C-tick, PSE, warranty: 3 years

LED Ceiling Light



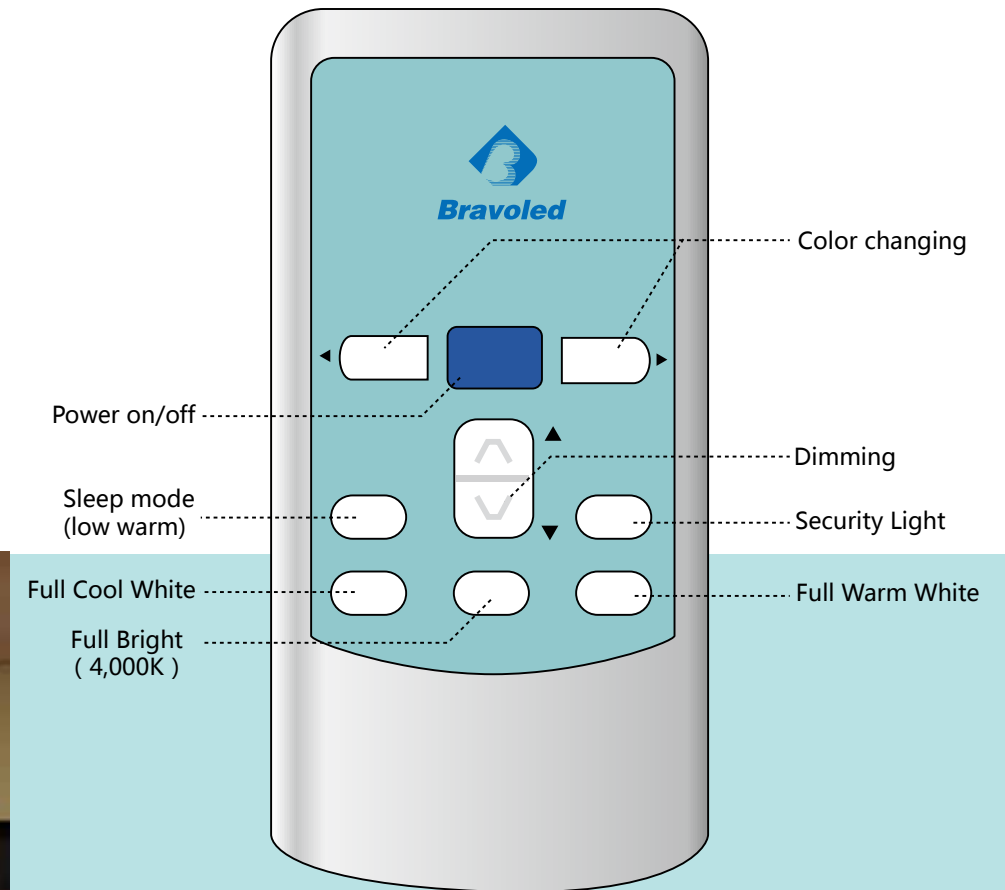
Key Features

- Dimmable and color changeable, color range: 2,700K~6,500K, dimming: 0 ~100%.
- Application area: 6 ~12 Jyo (12~24 m²)
- Wattage: 45W/65W
- 0.5W security light
- Japanese adapter
- Warranty : 3 years
- Certificate: PSE

Specification

Item Number	BL-CEL-550-45W	BL-CEL-550-65W
Operate Voltage	85~264V ac	85~264V ac
Wattage	45W	65W
Lumen Output	WW: 3,443lm NW: 3,916lm CW: 3,701lm	WW: 4,858lm NW: 5,759lm CW: 5,160lm
LED Q'ty	SMD5630 /216pcs	SMD5630 / 256pcs
Weight	2.8kg	2.9kg
Dimension	Φ550 x H117mm	Φ550 x H117mm

Color Temperature: 2,700-6,500K
 CRI: Ra > 80
 Beam Angle: 150 degree
 Reflector Efficiency: 90%
 Body Temperature: <65°C
 LED Working Temperature: <72°C
 Operation: Remote Control

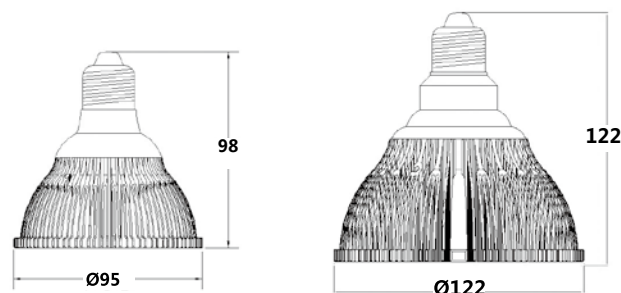


PAR lamps-CREE-XPE



Key Features

- PAR30/PAR38 with CREE XPE LED
- UL/cUL certificate : file# E346471
- Dimming compatible with TRIAC dimmers such as Lutron, Leviton and Legrand etc.



Specification

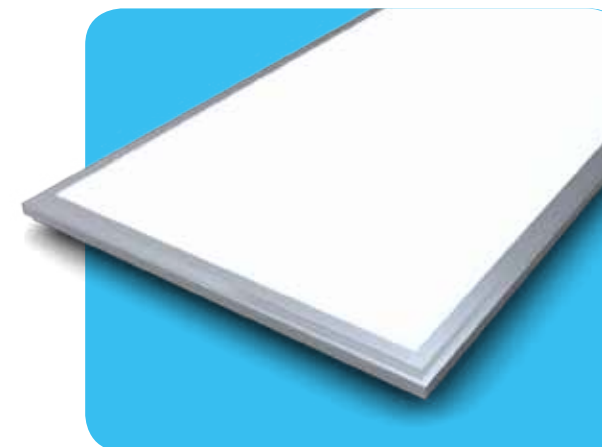
Item Number	BL-PAR30-7XPE	BL-PAR38-12XPE
Description	LED PAR30	LED PAR38
Voltage	85~145V AC or 190~265V AC	85~145V AC or 190~265V AC
Lumens	WW: 630lm CW: 840lm	WW: 970lm CW: 1,180lm
Dimmable	Yes	Yes
Dimension	Φ95 x 100mm	Φ120 x 125mm
Available Lamp Base	E26/E27	E26/E27
Weight	275g	460g
LED Type/ Q'TY	CREE XPE/ 7pcs	CREE XPE/ 12pcs
Power Consumption	10.0W	15.0W

General Specification

Color Temperature 2,700K ~ 6,500K, CRI: Ra>80, PF> 0.9, Beam Angle: 15/25/ 45 degrees, Certificate: UL,cUL, CE, RoHS, C-tick, PSE, Warranty: 3 years

LED Panel Light

Slim Square



Slim Disc



Key Features

- Thin thickness: 12mm
- Reliable external Mean Well driver and Lumenmax LED
- Multiple installation methods

Slim Square

Item Number	Size (mm)	Wattage(W)	LED(SMD 3014) Q'ty(pcs)	Lumen Output(lm)
BL-PL-200*200-10W	195*195*12	10	84	667
BL-PL-300*300-14W	295*295*12	14	132	1,109
BL-PL-600*300-25W	595*295*12	25	264	1,601
BL-PL-900*300-33W	895*295*12	33	308	2,001
BL-PL-600*600-36W	595*595*12	36	352	2,802
BL-PL-600*600-45W	595*595*12	45	428	3,600
BL-PL-600*600-54W	595*595*12	54	532	4,318
BL-PL-600*600-72W	595*595*12	72	718	5,700
BL-PL-1200*150-18W	1195*150*12	18	180	1,400
BL-PL-1200*300-36W	1195*295*12	36	352	2,800
BL-PL-1200*300-45W	1195*295*12	45	418	3,600
BL-PL-1200*300-54W	1195*295*12	54	528	4,300
BL-PL-1200*300-72W	1195*295*12	72	718	5,750
BL-PL-1200*600-45W	1195*595*12	45	418	3,600
BL-PL-1200*600-54W	1195*595*12	54	528	4,300
BL-PL-1200*600-72W	1195*595*12	72	718	5,700

Slim Disc

Item Number	Size (mm)	Light-emitting Area	Cut-out Size(mm)	Power (Watts)	LED(SMD 3014) Q'ty(pcs)	Lumens (lm)
BL-PL-R4-9W	Φ145*16	Φ100mm (4")	Φ125	9	72	580
BL-PL-R5-11W	Φ180*16	Φ130mm (5")	Φ160	11	96	770
BL-PL-R6-13W	Φ200*16	Φ150mm (6")	Φ180	12	99	820
BL-PL-R8-15W	Φ240*16	Φ150mm (6")	Φ220	15	132	1,060
BL-PL-R10-18W	Φ300*19	Φ250mm (10")	Φ280	18	168	1,359

General Specification

Color range: 2,800K~6,500K, LED type:SMD 3014 Lumenmax(packaged in Taiwan) , Voltage input: 85~265V ac, Mounting Method: a) recessed, b) hanging,wall-mount or recessed ,c) hanging,wall-mount, recessed or ceiling amount Certificates: UL,cUL, CE, RoHS, C-tick, PSE, Warranty: 3 years

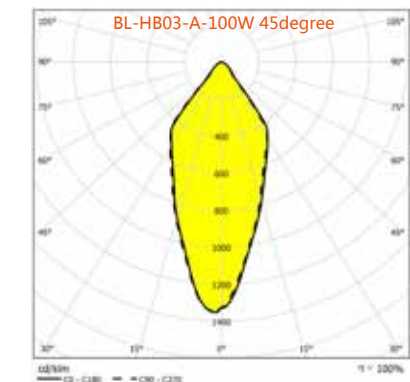
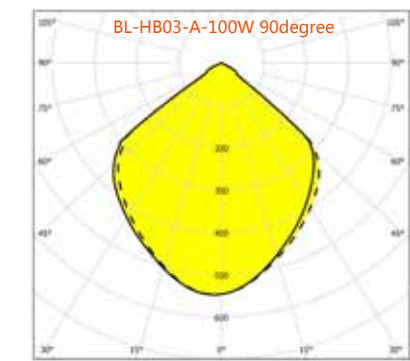
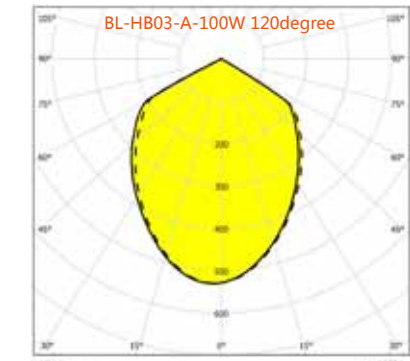
LED High Bay Light



- Key Features**
- DLC Certificate: 150W and 200W
 - UL/cUL Certificate: file# E345599
 - CREE XML LED
 - Mean Well Driver



Distribution Curve

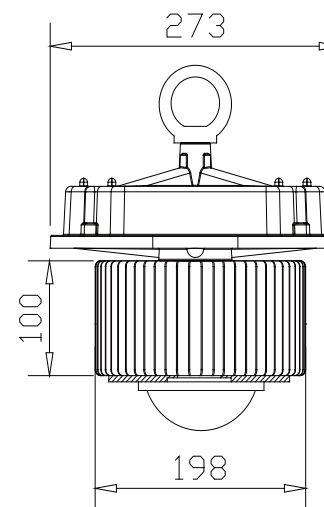


Certificates

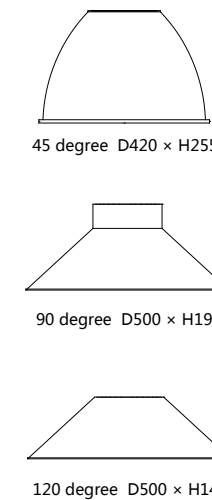
Model #	Rated Voltage	Rated Current	Rated Wattage
BL-HB03-80W-277-XX	100-240/277 V ac	0.8 A	80 W
BL-HB03-100W-347-XX	200-440 V ac	0.5 A	100 W
BL-HB03-120W-277-XX	100-240/277 V ac	1.2 A	120 W
BL-HB03-150W-277-XX	100-240/277 V ac	1.2 A	150 W
BL-HB03-150W-347-XX	277-480 V ac	0.7 A	160 W
BL-HB03-200W-277-XX	100-240/277 V ac	1.6 A	200 W
BL-HB03-200W-347-XX	200-440 V ac	0.8 A	200 W
BL-HB03-300W-277-XX	100-240/277 V ac	2.8 A	300 W

Model #	Rated Voltage	Rated Wattage
BL-HB03-150W-277-XX	100-240/277 V	150 W
BL-HB03-200W-277-XX	100-240/277 V	200 W

Fixture Size



Shade Size



Main Reports



ISTMT Report



LM79 Report



LM80 Report

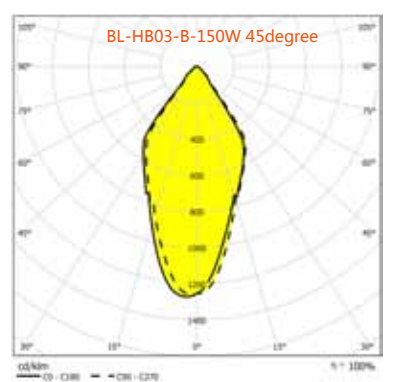
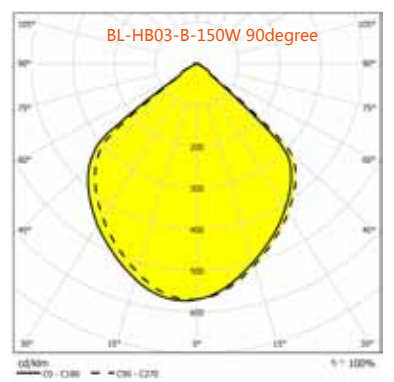
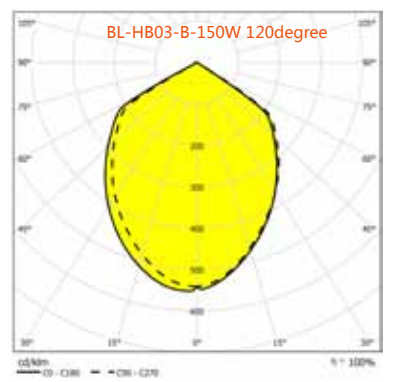
Specification

Input Voltage Range	85-285Vac / 200~ 440V ac	LED Initial Flux	9,600 lm
Frequency Range	47Hz ~ 63Hz	Color Temperature	2,700K~7,000K
Inrush Current	40A@ 220Vac input, cold start	Color Render Index	Ra > 75
Power Factor	0.95	Beam Angle	45°/90°/120°
LED Type	Cree XML T6	LED Junction Temperature @35°C	75°C
Q'ty of LED	16 pcs	Working Temperature	-20°C ~ +55°C
LED Consumption	96W	Working Life-span 70%	50,000 hrs
Lamp Consumption	105W	Cable	VDE H05RNFB 3G0.75mm OR UL SJTW 3G16 AWG
Power Supply	Mean Well / Inventronics (347V ac)	Certificate	UL/cUL, CE, RoHS, C-Tick, PSE
LED Luminous Efficiency	100lm/W	Warranty	3 years/ 5 years

LED High Bay Light



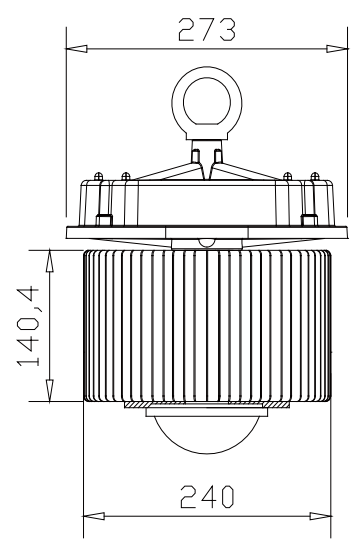
Distribution Curve



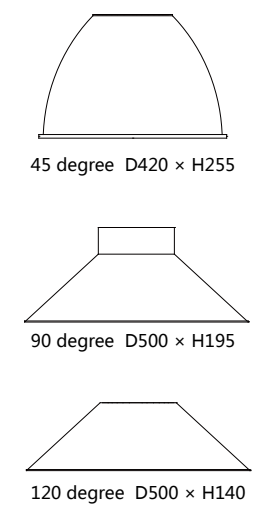
LM79
LM80
PSE



Fixture Size



Shade Size

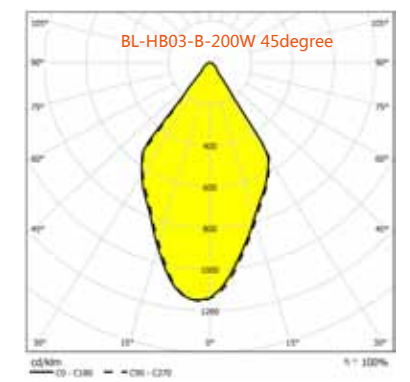
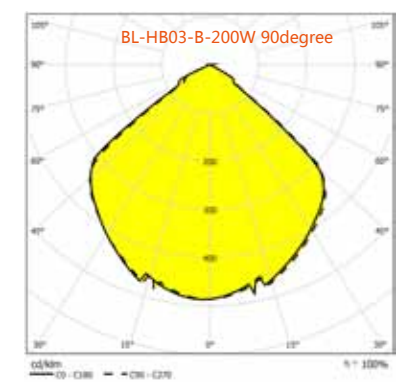
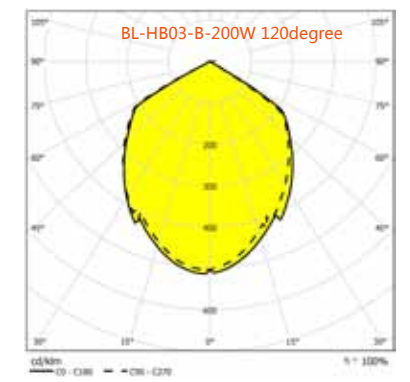


Specification

Input Voltage Range	85-285V ac / 200~ 440V ac	LED Initial Flux	13,600 lm
Frequency Range	47Hz~ 63Hz	Color Temperature	2,700K~7,000K
Inrush Current	40A@ 220Vac input ,cold start	Color Render Index	Ra > 75
Power Factor	0.95	Beam Angle	45°/90°/120°
LED Type	Cree XML T6	LED Junction Temperature @35°C	75°C
Q'ty of LED	24 pcs	Working Temperature	-20°C ~ +55°C
LED Consumption	140W	Working Life-span 70%	50,000 hrs
Lamp Consumption	154W	Cable	VDE H05RNF 3G0.75mm OR UL SJTW 3G16 AWG
Power Supply	Mean Well / Inventronics (347V ac)	Certificate	UL/cUL,DLC, CE, RoHS, C-Tick,PSE
LED Luminous Efficiency	100lm/W	Warranty	3 years/ 5 years



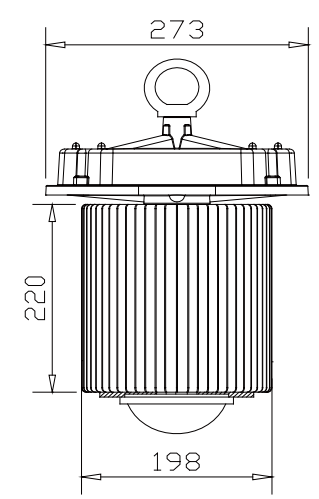
Distribution Curve



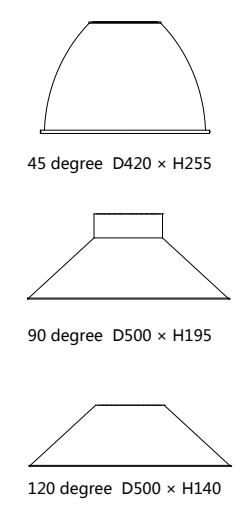
LM79
LM80
PSE



Fixture size



Shade size



Specification

Input Voltage Range	85-285V ac / 200~ 440V ac	LED Initial Flux	17,000 lm
Frequency Range	47Hz~ 63Hz	Color Temperature	2,700K~7,000K
Inrush Current	40A@ 220Vac input, cold start	Color Render Index	Ra > 75
Power Factor	0.95	Beam Angle	45°/90°/120°
LED Type	Cree XML T6	LED Junction Temperature @35°C	75°C
Q'ty of LED	32 pcs	Working Temperature	-20°C ~ +55°C
LED Consumption	184 W	Working Life-span 70%	50,000 hrs
Lamp Consumption	210 W	Cable	VDE H05RNF 3G0.75mm OR UL SJTW 3G16 AWG
Power Supply	Mean Well /Inventronics (347V ac)	Certificate	UL/cUL,DLC, CE, RoHS, C-Tick
LED Luminous Efficiency	100lm/W	Warranty	5 years

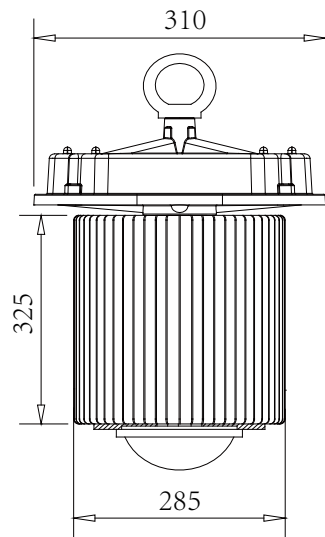
LED High Bay Light



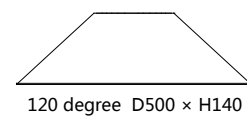
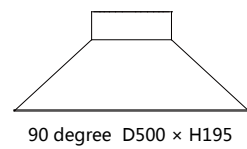
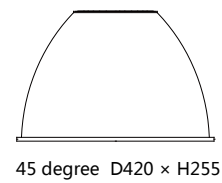
BL-HB03-300W



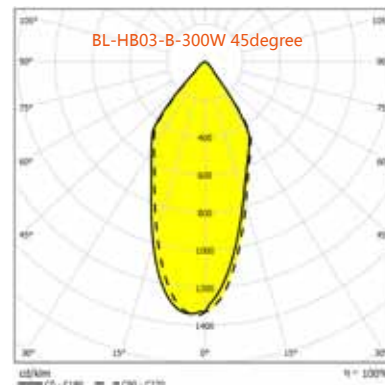
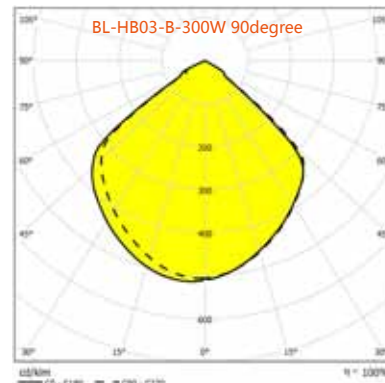
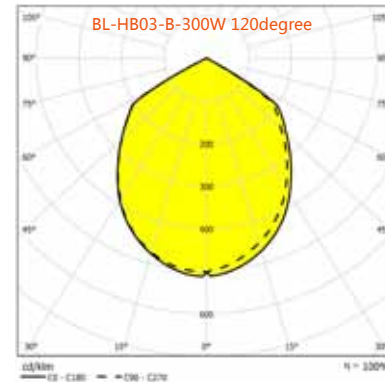
Fixture Size



Shade Size



Distribution Curve



Specification

Input Voltage Range	85-285V ac	LED Initial Flux	24,000 lm
Frequency Range	47Hz~63Hz	Color Temperature	2,700K~7,000K
Inrush Current	40A@ 220Vac input, cold start	Color Render Index	Ra > 75
Power Factor	0.95	Beam Angle	45°/90°/120°
LED Type	Cree XML T6	LED Junction Temperature @35°C	75°C
Q'ty of LED	48 pcs	Working Temperature	-20°C ~ +55°C
Led Consumption	275W	Working Life-span 70%	50,000 hrs
Lamp Consumption	310W	Cable	VDE H05RNF 3G0.75mm OR UL SJTW 3G16 AWG
Power Supply	Mean Well /Inventronics(347V)	Certificate	UL/cUL,CE, RoHS, C-Tick
LED Luminous Efficiency	100lm/W	Warranty	5 years

LED Flood Light



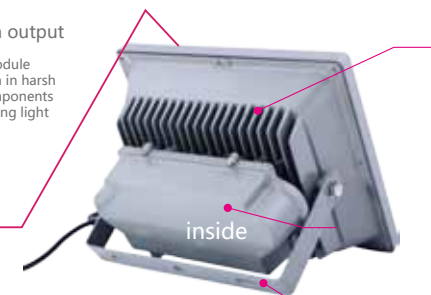
Key Features

- UL/cUL (E345599) Certified for 30W, 50W & 120W
- FCC Certified
- Mean Well Driver (100~277V ac)
- SMD Bridgelux LED

Advantages

High efficiency and lumen output

High efficiency drivers and LED module provide reliable low cost operation in harsh and hazardous environments. Components were chosen to give industry-leading light output from an LED flood.



Safe, reliable heat transfer

The heat sink was designed to perform in high ambient temperature up to +55°C and as low as -40°C. The thick walls of the castings make for a tough, rugged housing that keeps the internal driver and LED temperatures down, allowing them to perform flawlessly, and protects them from damage, separated driver and LED housing allows dust to shed from fixture.



Installation and replacement made simple

The wall mount bracket makes it ideal for retrofit or new installation, angle of fixture is adjustable.

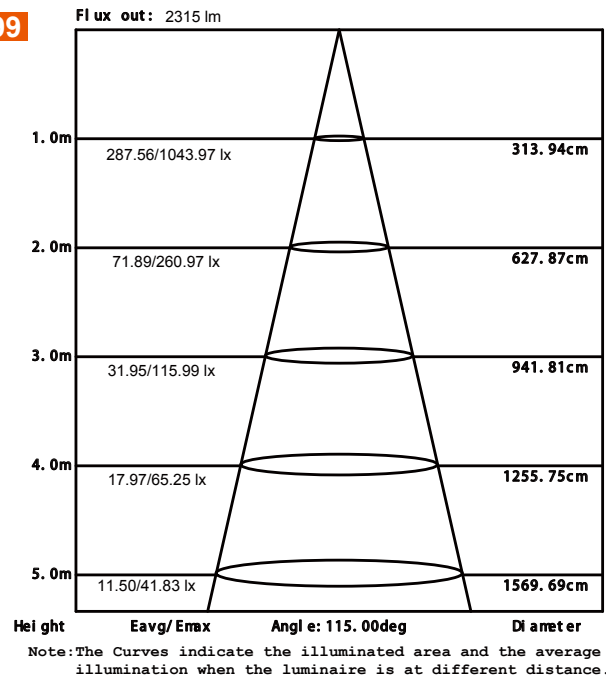




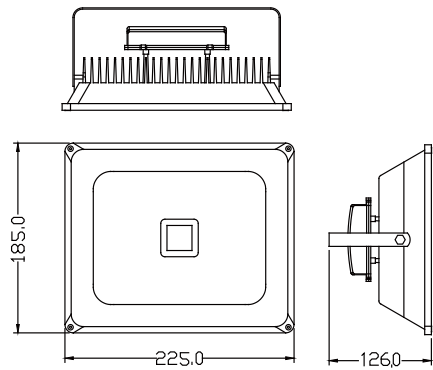
BL-FL-225-30W



AAI Figure



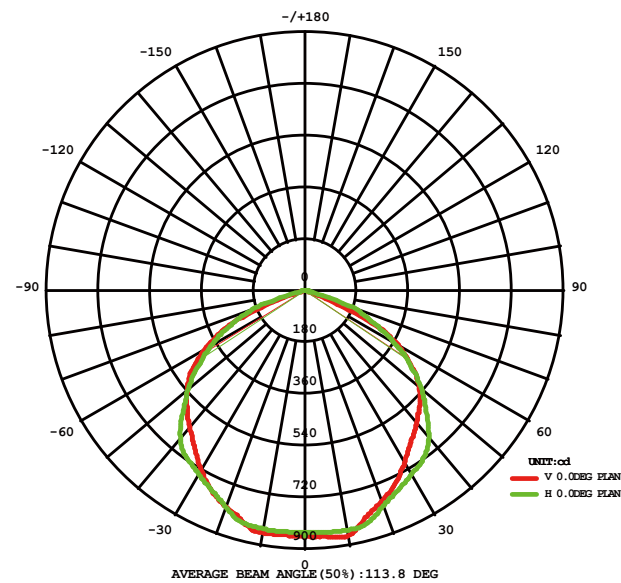
Drawing



Specification

Model Number	BL-FL-225-30W
Description	LED Flood Light
Input Voltage	Standard : 100~240V ac 50/60Hz Option: 100~277 V ac 50/60Hz
Lamp Power	31W
IP Rated	IP65
Power Factor	0.96
LED Module	1 pc Bridgelux SMD LED
Lamp Flux	WW: 2,144lm CW: 2,595lm
Lamp Efficiency	>80%
Color Temperature	2,700~7,000 K
Color Render Index	WW: Ra>75, CW: Ra>80
Operation Temperature	from -42 °C to + 55°C
Life Span	50,000 hrs
LED Power	28W
Power Supply	Mean Well
Beam Angle	100 degree

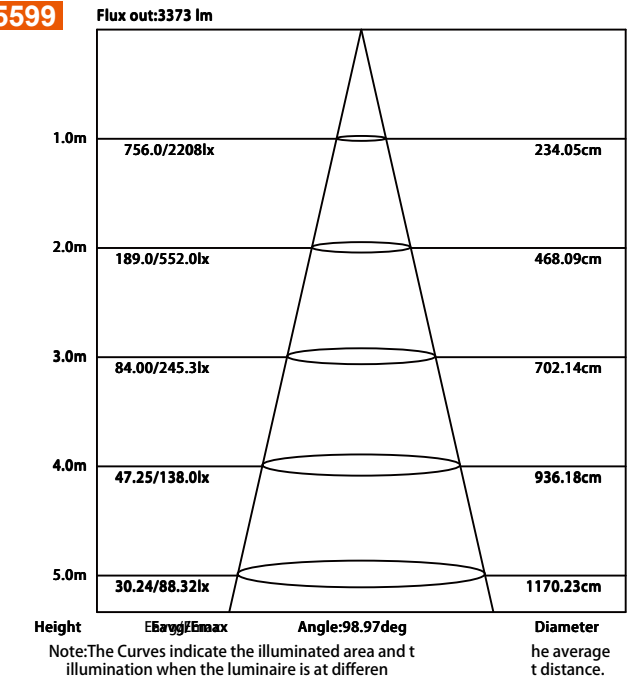
Luminance Distribution



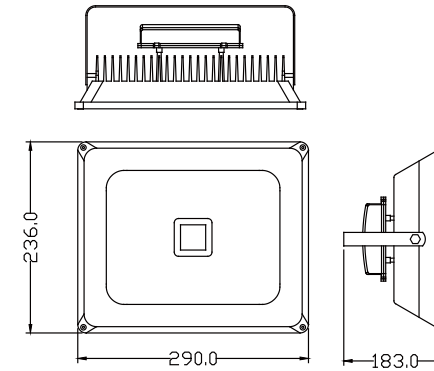
BL-FL-290-50W



AAI Figure



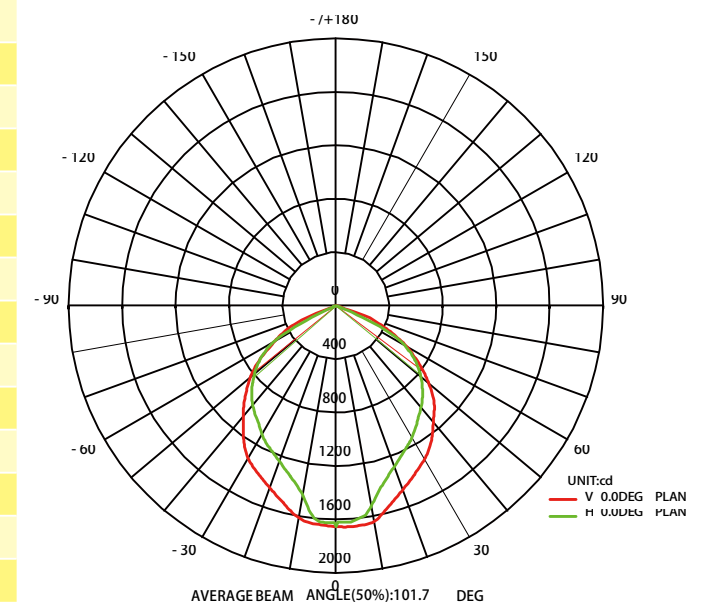
Drawing



Specification

Model Number	BL-FL-290-50W
Description	LED Flood Light
Input Voltage	Standard : 100~240V ac 50/60Hz Option: 100~277 V ac 50/60Hz
Lamp Power	49W
IP Rated	IP65
Power Factor	>0.98
LED Module	1 pc Bridgelux SMD LED
LED Initial Flux	WW: 3,400lm CW: 4,450lm
Lamp Efficiency	>80%
Color Temperature	2,700~7,000 K
Color Render Index	WW: Ra>75, CW: Ra>80
Operation Temperature	from -40 °C to + 55°C
LED Power	43W
Life Span	50,000 hrs
Power Supply	Mean Well
Beam Angle	100 degree

Luminance Distribution

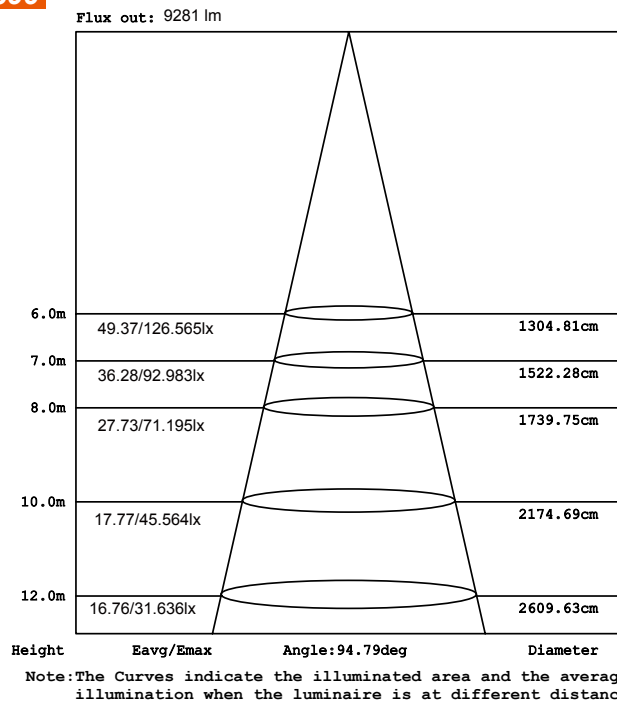




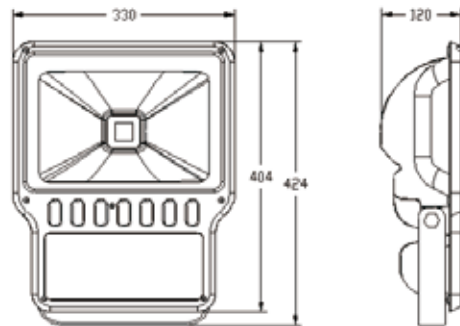
BL-FL-400-120W

UL US LISTED
E345599

AAI Figure



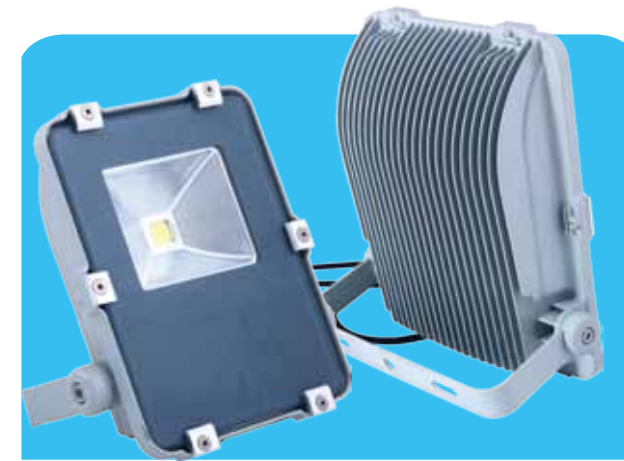
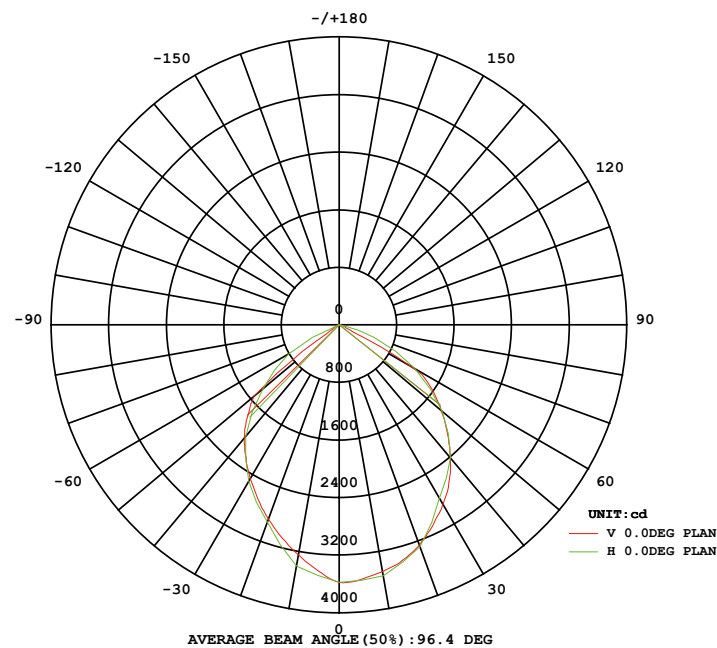
Drawing



Specification

Model Number	BL-FL-400-120W
Description	LED Flood Light
Input Voltage	Standard : 100~240V ac 50/60Hz Option: 100~277 V ac 50/60Hz
Lamp Power	120W
LED Working Voltage	30~36V dc
Beam Angle	100 °
Power Factor	>0.98
LED Module	1 pc Bridgelux SMD LED
LED Initial Flux	WW: 9,055lm CW: 10,595lm
Lamp Efficiency	>80%
Color Temperature	2,700~7,000 K
Color Rendering Index	WW: Ra>75, CW: Ra>80
Operation Temperature	from -40 °C to + 55°C
IP Rated	IP65
Life Span	50,000 hours
LED Power	107W
Harmonic Distortion	8
Power Supply	Mean Well

Luminance Distribution



LED Flood Light -CREE XML Series

Key Features:

- Design of compacted size
- Improved heat sink and water proof
- Mean Well driver and CREE XM-L LED
- DLC and UL/cUL pending



15W

40W

60W

120W/150W

Item Number	Product Size (mm)	Power Input	LED Module	LED Q'ty (pcs)	Lumen Output (lm)	Certificates
BL-FL-195-15W	265Lx195Wx40 H	15W	Bridgelux	1	WW:900 CW:1,170	UL/cUL pending
BL-FL-245-40W	315Lx245Wx60 H	36W	Cree XML	5	WW:2,160 CW:2,700	UL/cUL, DLC pending
BL-FL-295-60W	365Lx295Wx80 H	57W	Cree XML	8	WW:3,420 CW:4,270	UL/cUL, DLC pending
BL-FL-405-120W	400Lx490Wx110 H	125W	Cree XML	18	WW:7,500 CW:9,500	UL/cUL, DLC pending
BL-FL-405-150W	400Lx490Wx110 H	157W	Cree XML	24	WW:9,000 CW:11,700	UL/cUL, DLC pending



LED Bulb



LED Down Light

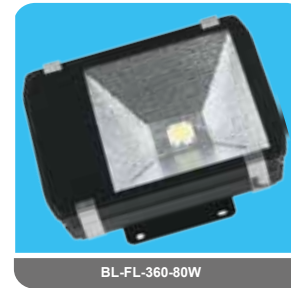


Visit www.bravoled.com for details

LED Spotlight



LED Flood Light/ Tunnel Light



LED Street Light



Visit www.bravoled.com for details

SUNIDEA



Guangdong Sunidea Co., Limited

115,NO.11 HUICHENG QIAOLE ROAD.XINHUI DISTRICT JIANGMEN CITY GUANGDONG,CHINA

Tel:+86-750-6130021 Fax:+86-750-6130023

E-mail:rocklang@gmail.com ; sunidea.rock@gmail.com

MSN:rocklang@hotmail.com Skype ID:rocklang ICQ:935 588 70